

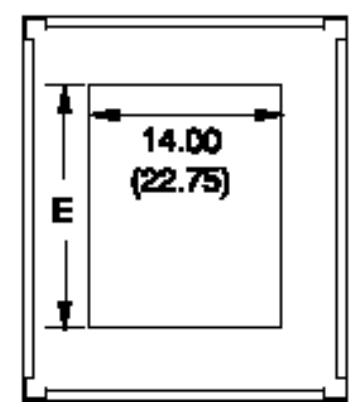
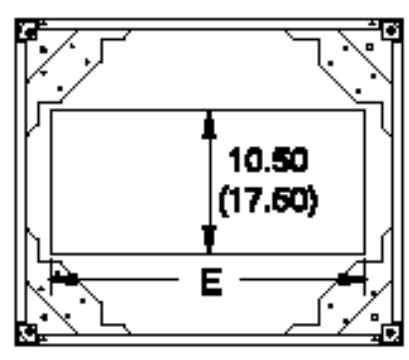
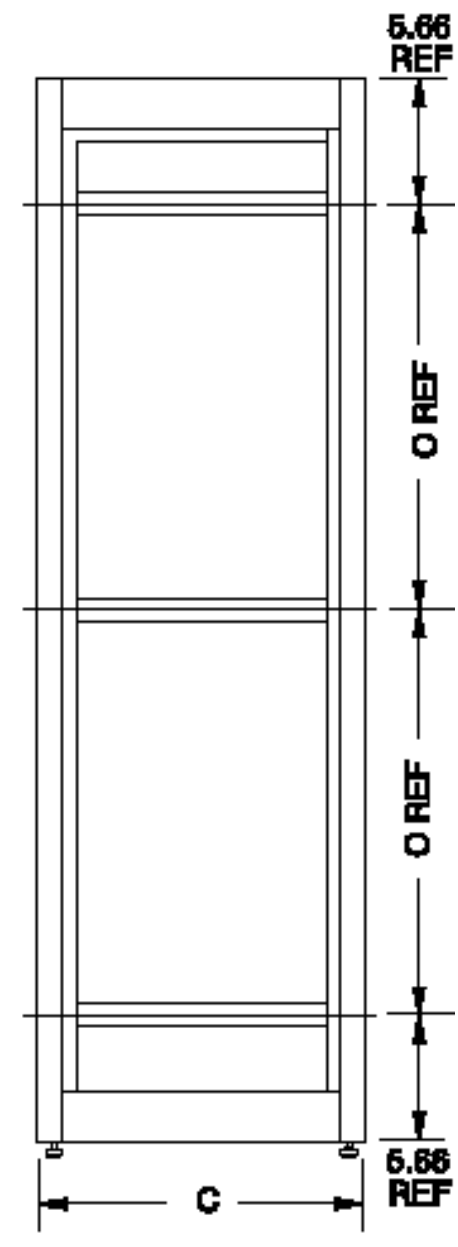
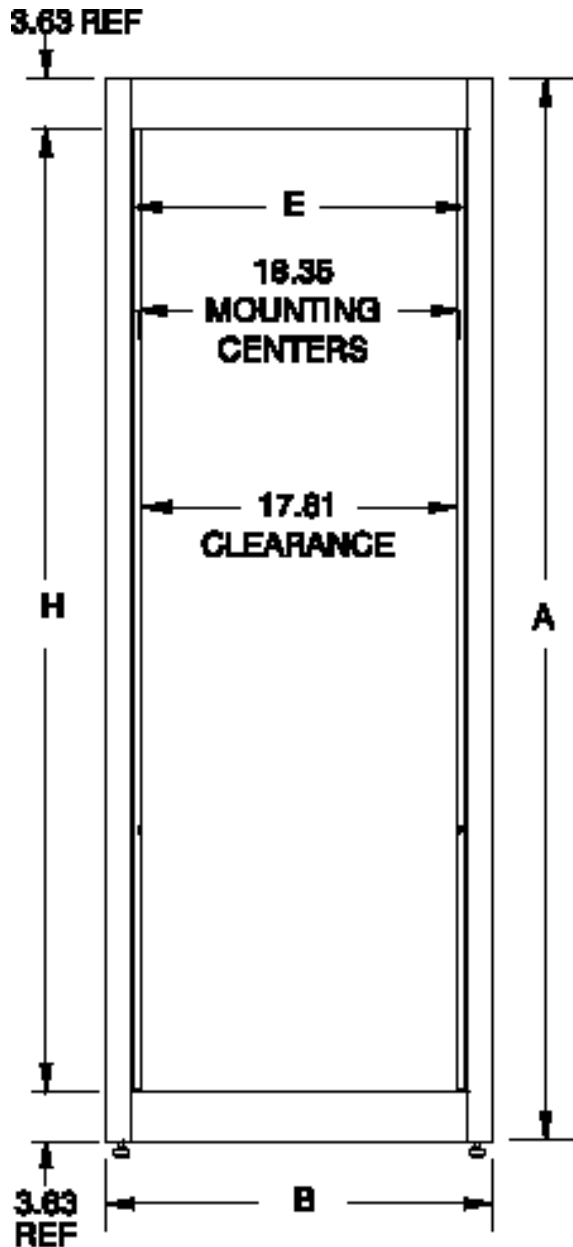
## Welded - Assembled "Contempra" Rack Cabinets (C2RR Series) - *Rapid Rack*

Path: [Home](#) > [Rack Index](#) > Welded - Assembled - *Rapid Rack* Cabinets (C2RR Series)



### Features:

- Heavy duty - welded rack (1,500 lb even load rating)...
- Standard 19" panel width (23" overall)...
- Choice of two stock depths:
  1. usable depth of 21.63" (23.63" overall)
  2. usable depth of 29.50" (31.50" overall)
- Unit is shipped complete (NO ASSEMBLY REQUIRED) with removable side panels (1/4 turn latches), 4 infinitely adjustable - combination rack mount rails (Full EIA hole centers - 5/8 - 5/8 - 1/2 inch spacing), one solid flush mount door, solid top and 4 leveling feet...
- Heavy duty: 14 gauge steel frame, 16 gauge side panels.
- Rails are made of 10 gauge zinc plated steel...
- Recommended maximum weight (C2F247836 tested) - 1,500 pounds...
- Finished in a rugged, textured powder paint finish...
- See frame [accessories below](#).



**23.63" Deep models:**  
Usable Depth = 21.63"

Part Number	Color	Drawing File Size	AutoCAD .dxf File (zipped)	.zip File Size	Panel Height		Overall Dimensions				Wt. lbs.
					Inches	Units	A	B	C	H	
<b>C2RR194223BK1</b> <b>C2RR194223CG1</b>	Black Gray/ Beige	68K		52K	<b>42</b>	24	49.31	23	23.63	42.06	205
<b>C2RR196323BK1</b> <b>C2RR196323CG1</b>	Black Gray/ Beige	68K		52K	<b>63</b>	36	70.31	23	23.63	63.06	260
<b>C2RR197023BK1</b> <b>C2RR197023CG1</b>	Black Gray/ Beige	68K		52K	<b>70</b>	40	77.31	23	23.63	70.06	295
<b>C2RR197823BK1</b> <b>C2RR197823CG1</b>	Black Gray/ Beige	68K		52K	<b>78.75</b>	45	86.06	23	23.63	78.81	330

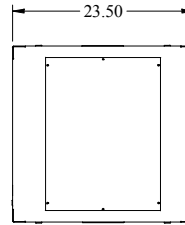
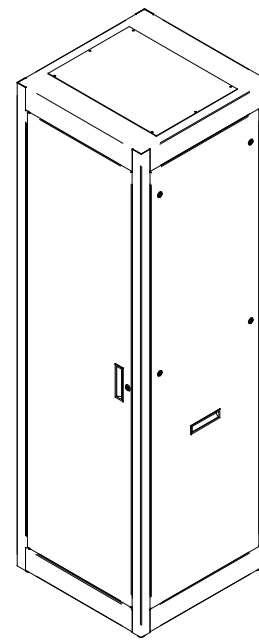
**31.5" Deep models:**

Usable Depth = 29.50"

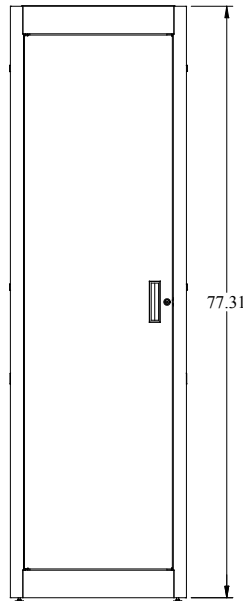
Part Number	Color	Drawing File Size	AutoCAD .dxf File (zipped)	.zip File Size	Panel Height		Overall Dimensions				Wt. lbs.
					Inches	Units	A	B	C	H	
<b>C2RR194231BK1</b> <b>C2RR194231CG1</b>	Black Gray/ Beige	68K		52K	<b>42</b>	24	49.31	23	31.5	42.06	218
<b>C2RR196331BK1</b> <b>C2RR196331CG1</b>	Black Gray/ Beige	68K		52K	<b>63</b>	36	70.31	23	31.5	63.06	280
<b>C2RR197031BK1</b> <b>C2RR197031CG1</b>	Black Gray/ Beige	68K		52K	<b>70</b>	40	77.31	23	31.5	70.06	315
<b>C2RR197831BK1</b> <b>C2RR197831CG1</b>	Black Gray/ Beige	68K		52K	<b>78.75</b>	45	86.06	23	31.5	78.81	355



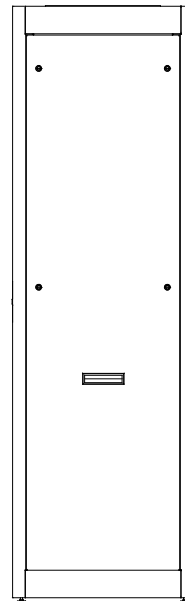
PART No. C2RR197023



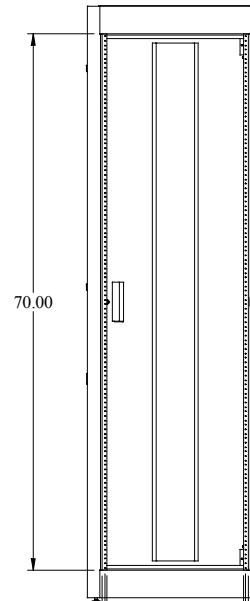
TOP VIEW



FRONT VIEW

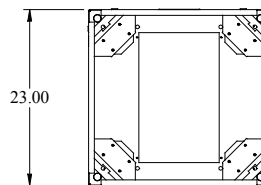


RIGHT SIDE VIEW



BACK VIEW

.77  
REF



BOTTOM VIEW

# LAN/DATA - Rapid Rack (C2RR Series)



**RAPID RACK  
POPULAR CONFIGURATIONS**

## FEATURES

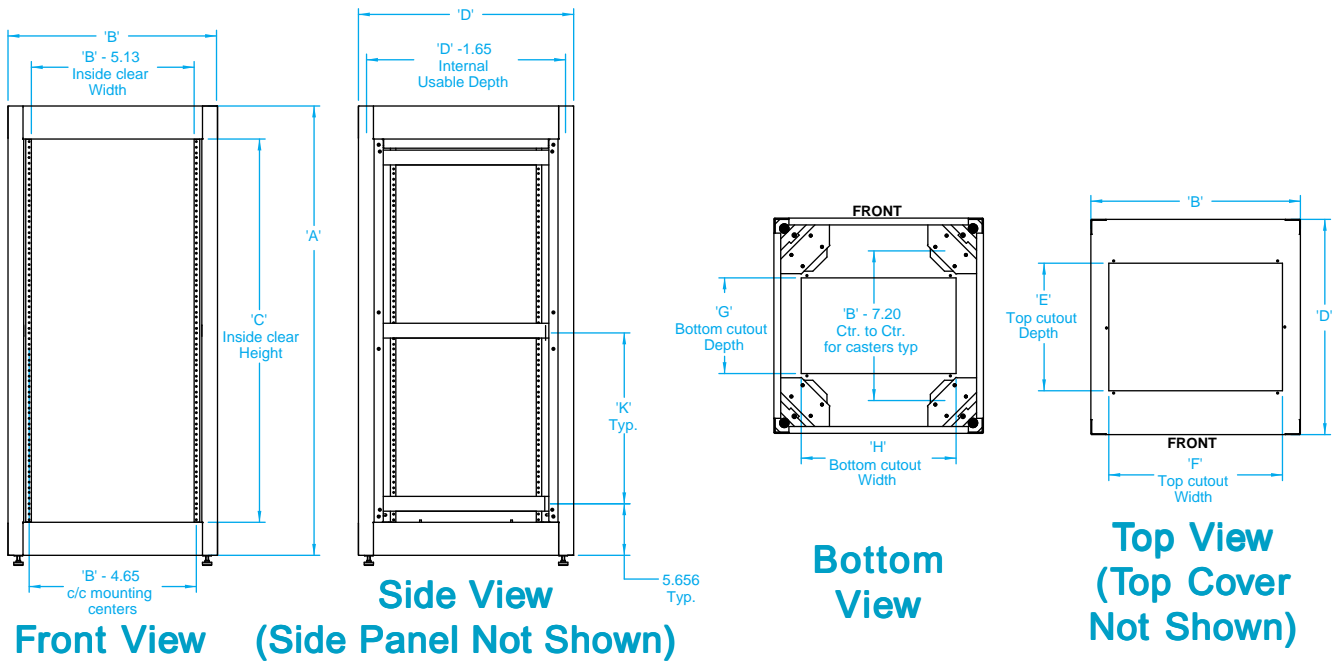
- Pre-configured especially for LAN/DATA use
- Unit is shipped complete (**NO ASSEMBLY REQUIRED**)
- Choice of two depths (23.6" or 31.5" usable depth)
- Heavy duty - Recommended maximum weight (C2F247836 tested) - 1,500 pounds
- Standard 19" (23" overall width) or 24" (28" overall width) panel width
- 24" rack mount versions can be converted to 19" rack mount by using our part number **CAK1924** (page 60) adapter kit (this method allows for extra internal wiring room around panel mounted equipment).
- **Unit includes:**
  - two removable side panels (with 1/4 turn latches)
  - four infinitely adjustable, tapped combination rack mount rails (full E.I.A. spacing)
  - one plexi glass flush mount front door (locking with 2 keys)
  - one louvered flush mount rear door (locking with 2 keys)
  - vented top with 4 cable entry holes and removable hole covers
  - four leveling feet
- Heavy duty 14 gauge steel frame
- Formed 16 gauge steel side panels are recessed to fit flush with the sides of the cabinet
- Opening in bottom for cable entry
- Panel rails are zinc plated, 10 gauge steel, drilled and tapped 10-32
- Finished in a rugged, textured powder paint



Assembled

Welded

# LAN/DATA - Rapid Rack (C2RR Series)



## 19" Rack Mount Versions

23.63" Deep (Usable Depth = 21.63")

Part Number		Dimensions (Inches)									
		Panel Height		Overall			Top Cutout		Bottom Cutout		Strut Spacing
				Height	Width	Depth	Depth	Width	Depth	Width	
Black Textured	Beige Textured	C	Units	A	B	D	E	F	G	H	K
C2RR197023DBK1	C2RR197023DCG1	70.06	40	77.31	23	23.63	14	19	10.5	17	33.00
C2RR197823DBK1	C2RR197823DCG1	78.81	45	86.06	23	23.63	14	19	10.5	17	37.38

31.5" Deep (Usable Depth = 29.5")

Part Number		Dimensions (Inches)									
		Panel Height		Overall			Top Cutout		Bottom Cutout		Strut Spacing
				Height	Width	Depth	Depth	Width	Depth	Width	
Black Textured	Beige Textured	C	Units	A	B	D	E	F	G	H	K
C2RR197031DBK1	C2RR197031DCG1	70.06	40	77.31	23	31.50	22.75	19	17.5	17	33.00
C2RR197831DBK1	C2RR197831DCG1	78.81	45	86.06	23	31.50	22.75	19	17.5	17	37.38

## 24" Rack Mount Versions

23.63" Deep (Usable Depth = 21.63")

Part Number		Dimensions (Inches)									
		Panel Height		Overall			Top Cutout		Bottom Cutout		Strut Spacing
				Height	Width	Depth	Depth	Width	Depth	Width	
Black Textured	Beige Textured	C	Units	A	B	D	E	F	G	H	K
C2RR247023DBK1	C2RR247023DCG1	70.06	40	77.31	28	23.63	14	24	10.5	17	33.00
C2RR247823DBK1	C2RR247823DCG1	78.81	45	86.06	28	23.63	14	24	10.5	17	37.38

31.5" Deep (Usable Depth = 29.5")

Part Number		Dimensions (Inches)									
		Panel Height		Overall			Top Cutout		Bottom Cutout		Strut Spacing
				Height	Width	Depth	Depth	Width	Depth	Width	
Black Textured	Beige Textured	C	Units	A	B	D	E	F	G	H	K
C2RR247031DBK1	C2RR247031DCG1	70.06	40	77.31	28	31.50	22.75	24	17.5	17	33.00
C2RR247831DBK1	C2RR247831DCG1	78.81	45	86.06	28	31.50	22.75	24	17.5	17	37.38

Assembled

Welded

